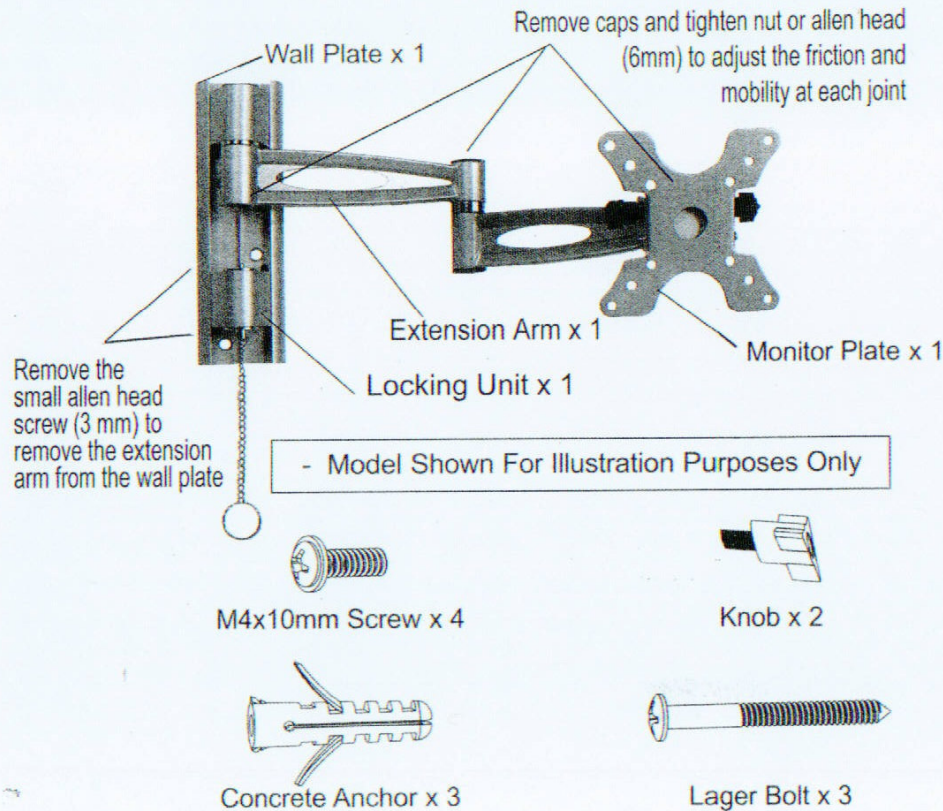


# Installation Instructions for Master Mount #403L

1-800-423-5487

## Contents of the box

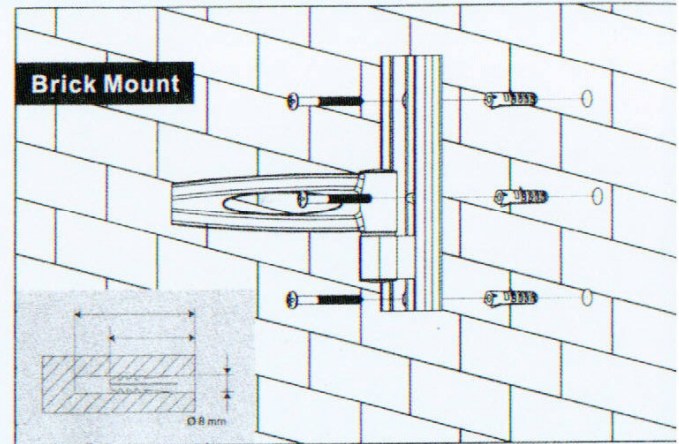


## Warning

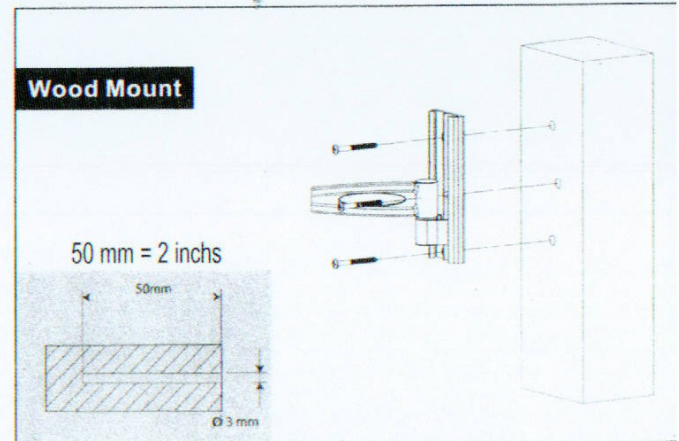
Read this guide before installation of your mount and TV

Correct mounting is vital. Maximum weight of flat LCD: 14kgs/30lbs.  
Only mount product on walls made of wood, brick or concrete with a maximum of 1/8" wall finish or 5/8" sheet rock. For sheet rock installation, you must locate and mount where there is a stud. Contact a professional installer for details for attaching this product to other materials. If not installed as directed, responsibility falls outside of the Manufacturer.

## Installation



Use a 5/16 inch bit to drill a pilot hole 2 inches in depth.



Use a 1/8 inch bit to drill a pilot hole 2 inches in depth.

